

Smart Glazing Solutions

PATENTED

NEW

GUILLOTINE AUTOMATIC GLAZING SYSTEMS

Vertiflex Twin
Vertiflex 08/10

ALBERTGENAU[®]
SYSTEM

explore >

14 reasons for Guillotine Vertiflex

Meet Vertiflex !

Albert Genau presents the Vertiflex Guillotine Glazing System, which is a next step of glazing solutions. Guillotine Vertiflex is a new window solution for hotels, restaurants, cafes and hospitality establishments. This system offers a maximum clear sight, more space and weather control opportunities for living areas with heat insulation.



Adjustment Mechanism



Adjustment Mechanism provides a balanced movement. With the side profile caps, belt and chain adjustment can be done whenever you need.

Easy Montage & Fast Service



Due to partial side profiles, adjustable bottom profile and freestanding motor mechanism, easy montage and fast service can be done.

4x4 System



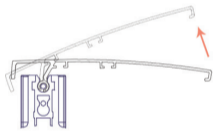
In each panel of the system, there are 4 balancing wheels. A system with 4 panels, can be made up to 4 meters high, 4 meters width.

SafeGuard Junction System



Special Albert Genau designed chain/belt apparatus removes the problems due to breakage or stripping. The undermost panel is designed as dislocatable thus system provides safety against burglary.

Hand-Safe Profile



Albert Genau designed a special profile for Vertiflex to prevent jamming finger/ hand in the system.



Silent & Perpetual Motion



The panels move silent and perpetually due to the balancing wheels without touching profiles and brushes. The sealed motor caps have sound insulation.

Double Strengthened Profile Frame



The glass panels are combined with 8 screws, located 2 in each corner of the panel. Thus, the montage of glass and panel profiles is strengthened.

Stainless Hardware



Just like in other Albert Genau systems, in Guillotine Vertiflex System, all bearings and accessories are warranted for anticorrosion and can be used in all weather conditions.

3 Different Types of Glass

In the system, 3 different glass types can be used as 5+12+5 heat insulated, 8 mm or 10 mm single glass. Choosing the type of glass is dependent on the required insulation level and the location where the system will be applied.

High Level Isolation



All system profiles are covered by EPDM gasket and brushes which provide maximum isolation. For additional insulation, brushes or foamy insulation gaskets can be applied in the double-bedded side profiles.

Aesthetic Touches



All vertical junctions are hidden. Special designed cap profile, closes the side panel channels aesthetically.

Full Automatic System



The system can be moderated by remote control. If gearmotor is required, system can be closed manually during power cut.

All in One Platform

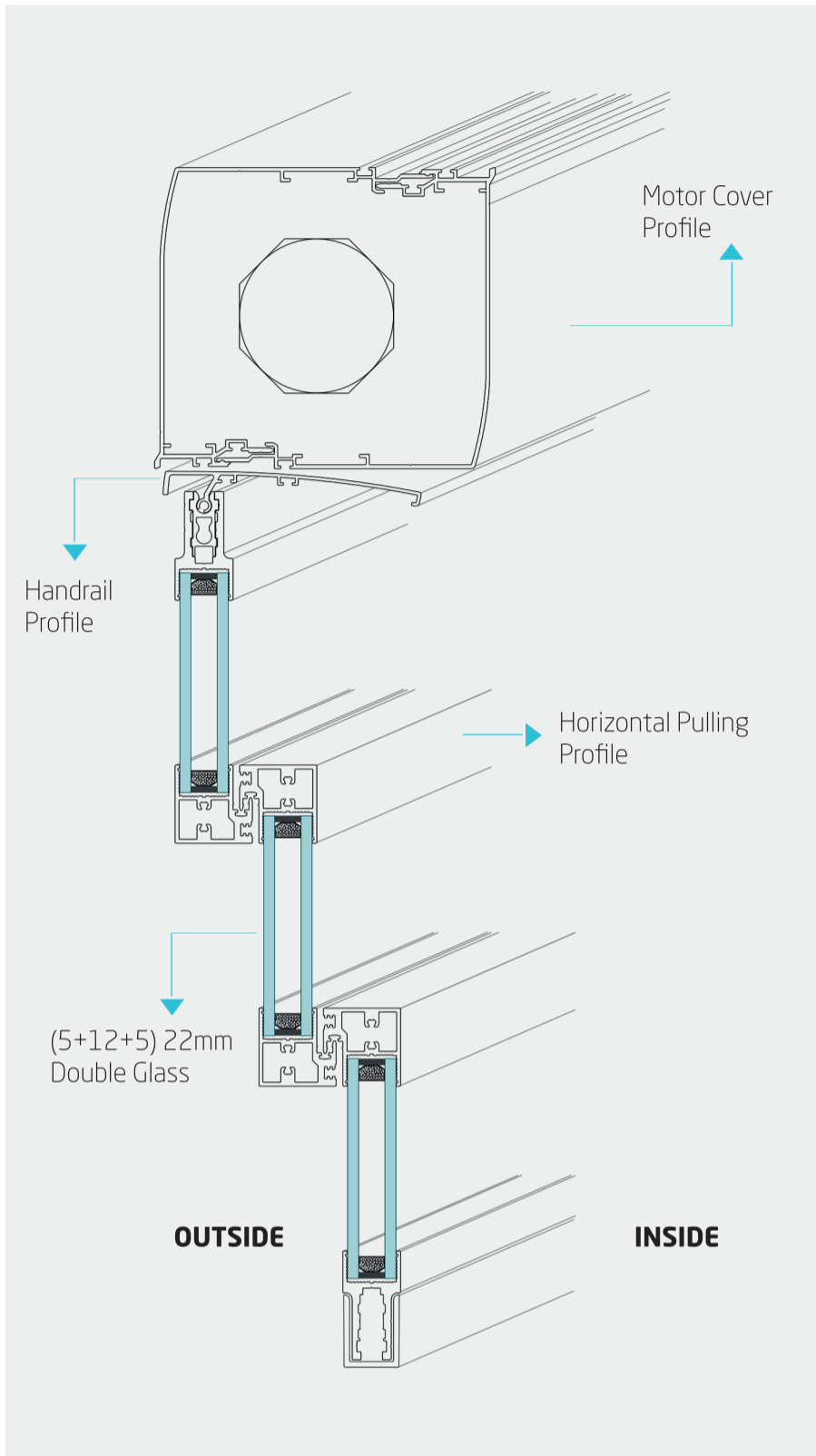
all-in-one

Vertiflex, meets all needs with just one profile. Without any additional profile, system can be used with belt or chain. If required, system can be mounted without frames, folding at the top or with 4 panels.

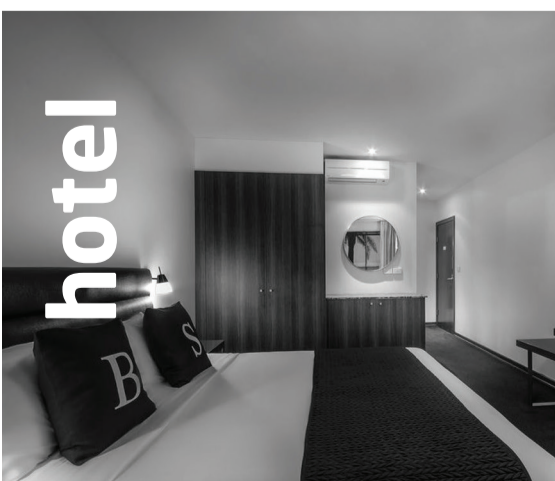
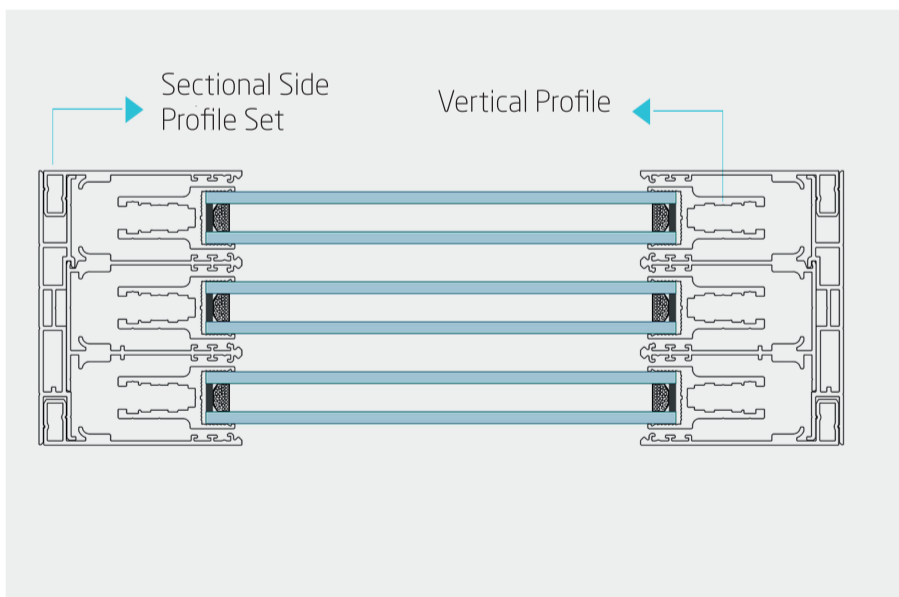
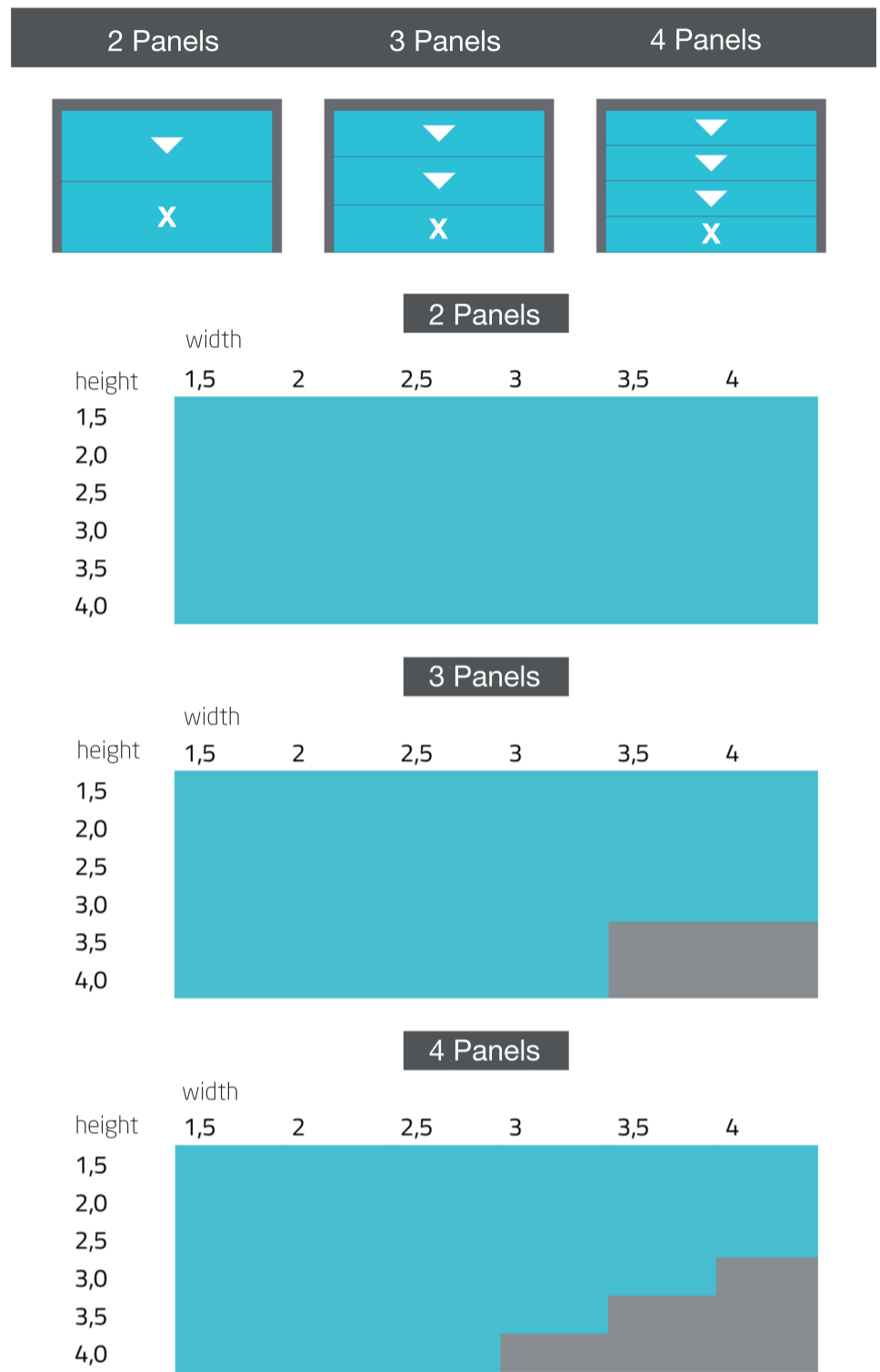
Maximum Panoramic View



The clearness of the view is maximized by using the minimal design of the vertical and horizontal profiles which can obstruct the panoramic view.

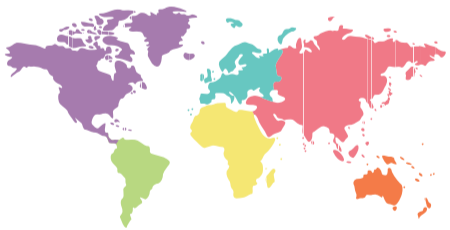


Application Specifications





we are
in 34 countries



5 Continents & 34 Countries

Albert Genau, presents its unique glazing systems to end users through 217 manufacturer dealers in 34 countries of the world.



Pfb Certificate

Glazing Systems are tested PFB German Technical Institute and achieved high level test result on Air, Water, Wind permeability and Impact tests.



Innovation Award

Albert Genau has innovation award due to its patent and innovator company mentality for "Heat Insulated Balcony Glazing Systems"



European Patent

Albert Genau products have the patent which has been granted by European Patent Office. The patent is valid in 38 European countries.



Smart Glazing Solutions



www.albertgenau.com



Version 10.18